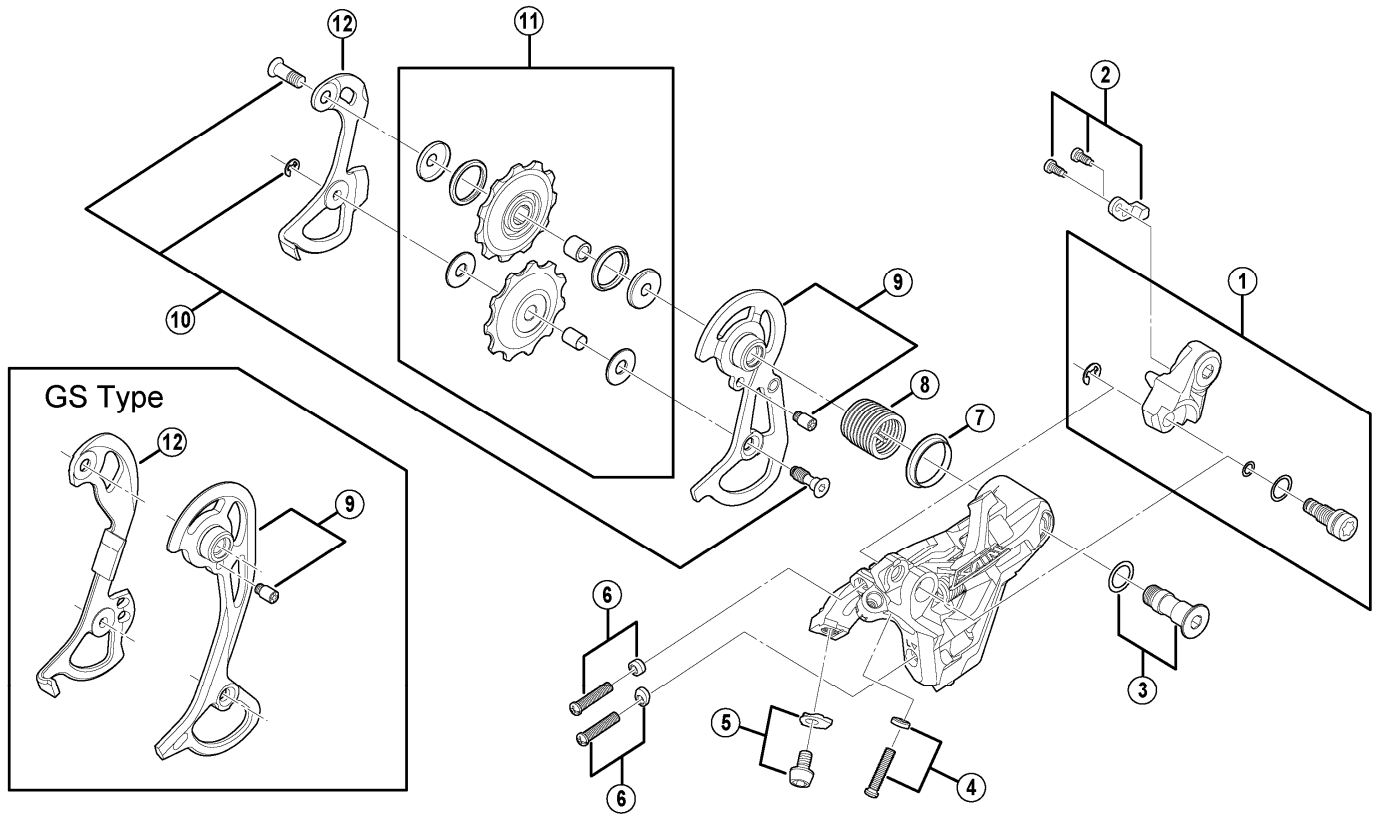


SAINT Rear Derailleur

**RD-M810-A (SS) Short Cage**

**RD-M810-A (GS) Long Cage**



RD-M972  
RD-M810  
RD-M772

ITEM NO.	SHIMANO CODE NO.	DESCRIPTION	INTERCHANGEABILITY		
			RD-M972	RD-M810	RD-M772
* 1	Y5WN98140	Bracket Axle Unit			
2	Y5WN98110	Mode Converter (M3 x 7) & Bolt Unit		B	
3	Y5WJ98040	P-Axle Assembly	A	A	
4	Y5WN98130	B-Tension Adjusting Screw (M5 x 18) & Plate			
5	Y5W798030	Cable Fixing Bolt (M5 x 8) & Plate		A	A
6	Y5WN98020	Adjusting Screws (M4 x 18) & Plate			
7	Y5UC14000	P-Seal Ring	A	A	A
8	Y5WN22000	P-Tension Spring	B	A	
9	Y5WN98030	Outer Plate Assembly (SS-Type)	B	A	
	Y5WN98040	Outer Plate Assembly (GS-Type)	B	A	
10	Y5WN98070	Pulley Bolt Unit	A	A	
11	Y5W798080	Guide & Tension Pulley Unit		A	A
12	Y5V508400	Inner Plate (SS-Type)		A	
	Y5W709100	Inner Plate (GS-Type)		A	

A: Same parts.

B: Parts are usable, but differ in materials, appearance, finish, size, etc.

Absence of mark indicates non-interchangeability.

Apr.-2012-3027A  
© Shimano Inc. A

Specifications are subject to change without notice.

**SHIMANO**