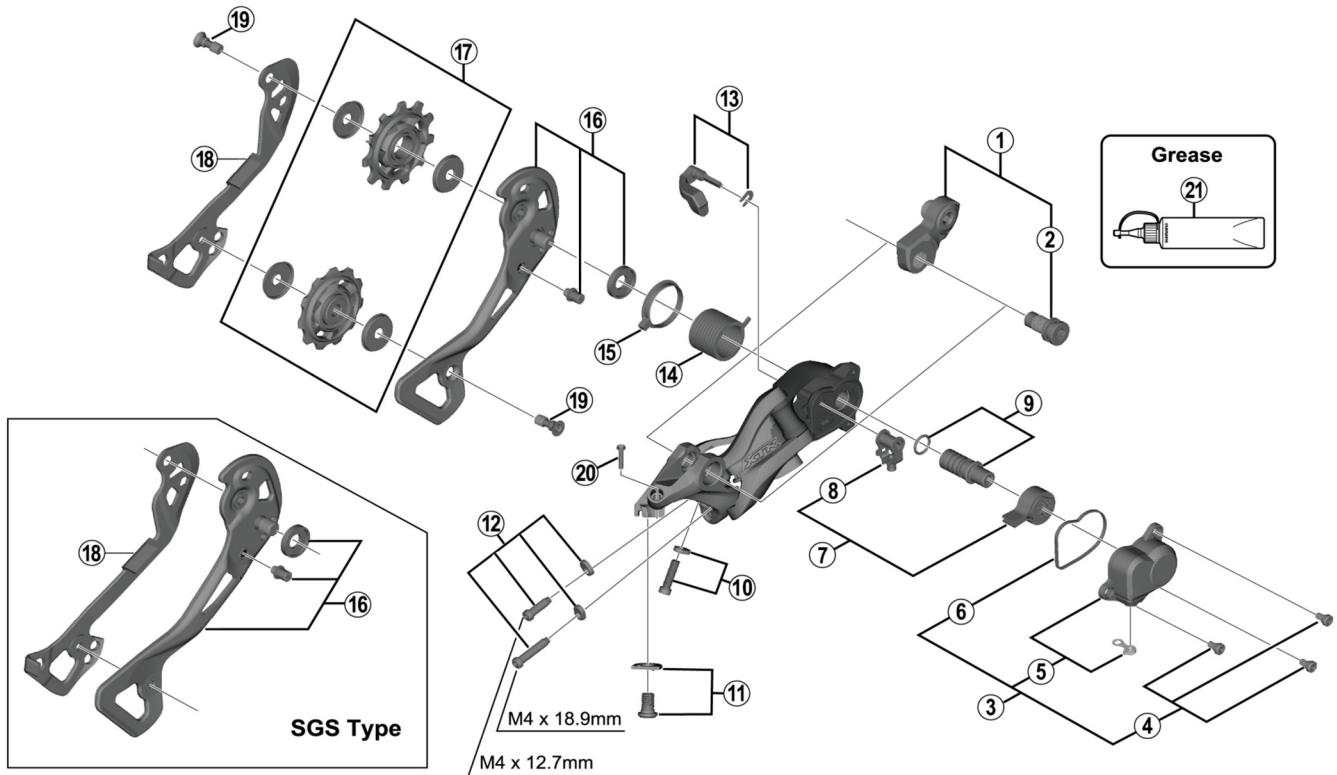


XTR Rear Derailleur (11-speed)  
**RD-M9000** (GS/SGS)



ITEM NO.	SHIMANO CODE NO.	DESCRIPTION
1	Y5PV98010	Bracket Axle Unit (for normal type)
2	Y5PV15000	B-Axle 2(for Direct Mount type)
3	Y5PV98030	P-Cover Unit
4	Y5Y198070	P-Cover Screw Set (3 pcs.)
5	Y5PV98190	P-Cover & Cap
6	Y5PV25000	P-Cover Packing
* 7	Y3GF98040	Stabilizer Unit
* 8	Y3E498040	Cam Unit
9	Y5PV98060	P-Axle & O Ring
10	Y5PV98070	B-Tension Adjusting Screw (M4 x 14.1) & Plate
11	Y5PV98080	Cable Fixing Screw (M6 x 9.2) & Plate
12	Y5PV98090	Stroke Adjusting Screws & Plate
13	Y5PV98100	Switch Lever Unit & Fixing Plate
14	Y5PV17000	P-Tension Spring
15	Y5PV24000	P-Seal Ring
16	Y5PV98120	Outer Plate Assembly (GS-Type)
16	Y5PV98130	Outer Plate Assembly (SGS-Type)
17	Y5PV98160	Guide & Tension Pulley Unit
18	Y5PV09100	Inner Plate (GS-Type)
18	Y5PV10100	Inner Plate (SGS-Type)
19	Y5WJ21100	Pulley Screw
20	Y5PV48000	Cover with tongue
21	Y04121000	New Grease for Stabilizer (Net. 50g)
21	Y04120800	Grease for Stabilizer (Net. 100g)

May-2020-3787F  
 © Shimano Inc. I

Specifications are subject to change without notice.

**SHIMANO**