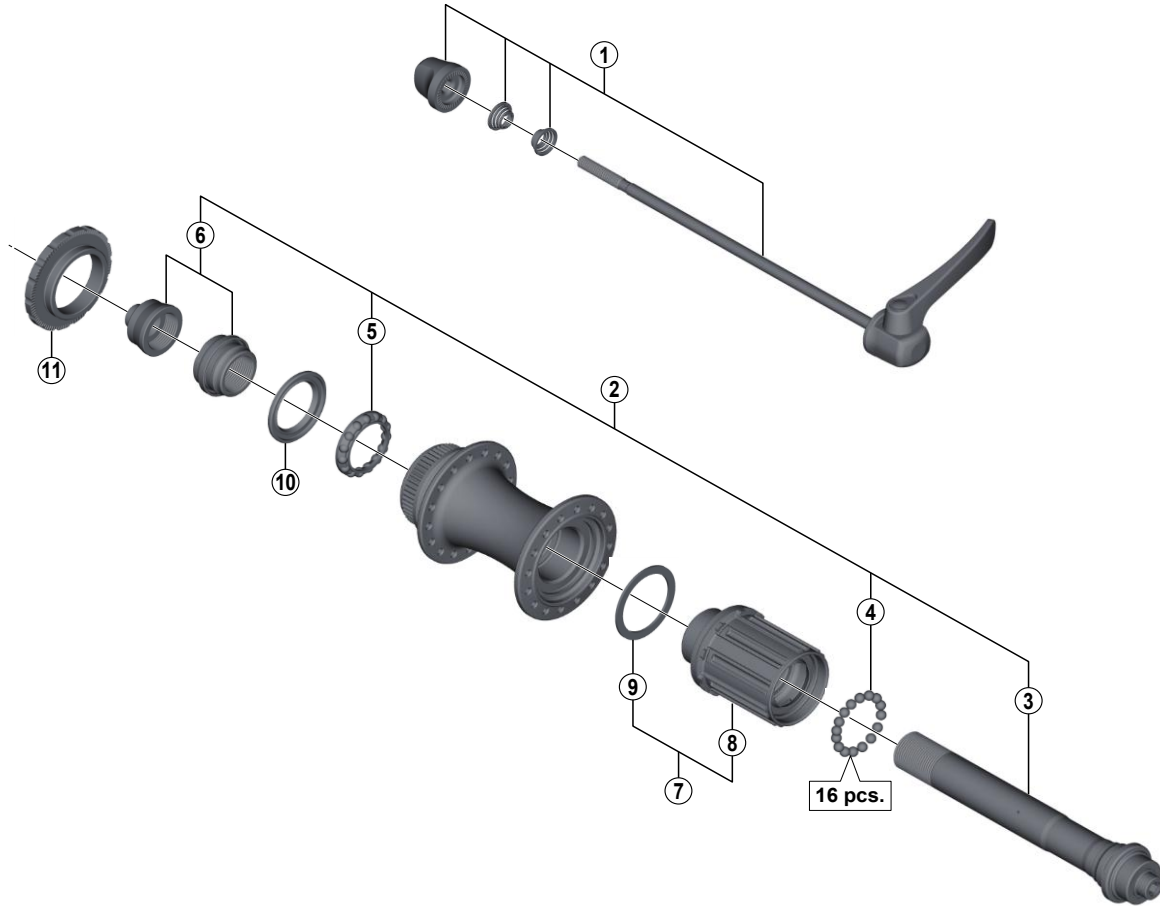


XTR Freehub (10/11-Speed) for Disc Brake

FH-M9000



• Over Lock Nut Dimension: 135 mm (5-5/16")

ITEM NO.	SHIMANO CODE NO.	DESCRIPTION	INTERCHANGEABILITY
1	Y38M98010	Complete Quick Release 168 mm (6-5/8")	
	Y38M98020	Complete Quick Release 173 mm (6-13/16")	
2	Y38M98030	Complete Hub Axle	
3	Y38M98040	Hub Axle Unit	
4	Y28F98020	Steel Ball (5/32") 38 pcs.	
5	Y27X98040	Ball Retainer (5/32")	
6	Y38M98050	Left Hand Lock Nut (M16) & Cone (M16) w/Dust Cover	
7	Y38L98050	Complete Freewheel Body	
8	Y38L98060	Freewheel Body Unit	
9	Y3CZ12000	Spacer For Inner	
10	Y27X14000	L/H Sealing	
11	Y29F98010	Lock Ring & Washer	

A: Same parts.

B: Parts are usable, but differ in materials, appearance, finish, size, etc.

Absence of mark indicates non-interchangeability.

Jul.-2014-3784
© Shimano Inc. H

Specifications are subject to change without notice.

SHIMANO